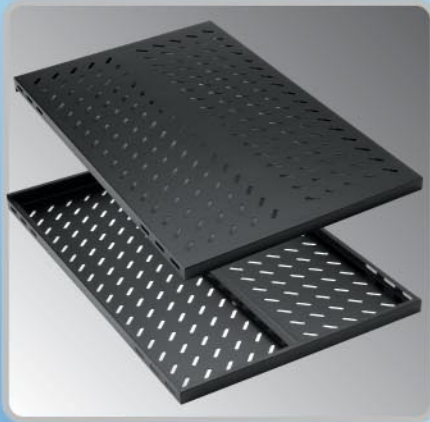


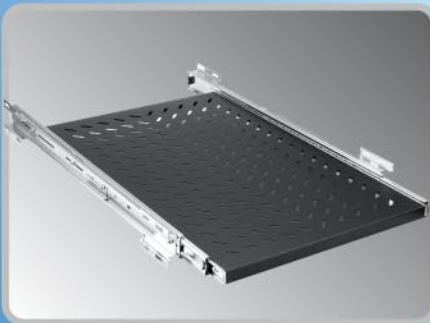
ACCESSORIES AND ENHANCEMENTS



19" Mounted Shelves:

For those users who prefer or need to mount the shelves on to the front face of the 19" rails, this line will solve your problem. The shelves are slightly narrower, but maintain the same load rating, 50 kg, as our standard fixed shelves. Shelf depths range from 450 mm to 800 mm.

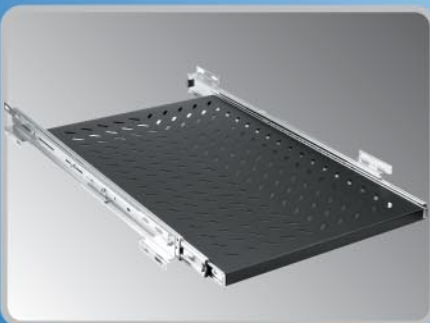
Part Name	Part Code.	Rated Load
19" Shelf Vented Fixed 450 Deep	SVF450BLK	50 KG.
19" Shelf Vented Fixed 550 Deep	SVF550BLK	50 KG.
19" Shelf Vented Fixed 650 Deep	SVF650BLK	50 KG.
19" Shelf Vented Fixed 700 Deep	SVF700BLK	50 KG.
19" Shelf Vented Fixed 800 Deep	SVF800BLK	50 KG.



Telescopic Shelves:

For added versatility and accessibility, our sliding shelves are the answer. A high quality bearing slide mechanism provides smooth and convenient action for our shelves. The mounting kits are installed to the inside flange of the 19" rails. Depths range from 450 mm to 800 mm.

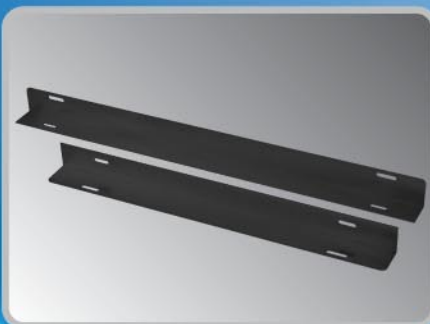
Part Name	Part Code.	Rated Load
Telescopic Sliding Shelf Kit 450 Deep	CS45018	50 KG.
Telescopic Sliding Shelf Kit 550 Deep	CS55022	50 KG.
Telescopic Sliding Shelf Kit 650 Deep	CS65024	50 KG.
Telescopic Sliding Shelf Kit 700 Deep	CS70028	50 KG.



Heavy Duty Telescopic Shelves:

Using our heavy duty shelves and higher load rated slide mechanisms, these shelves will increase the carrying capacity to 75 kg. Available in depths from 450 mm to 700 mm.

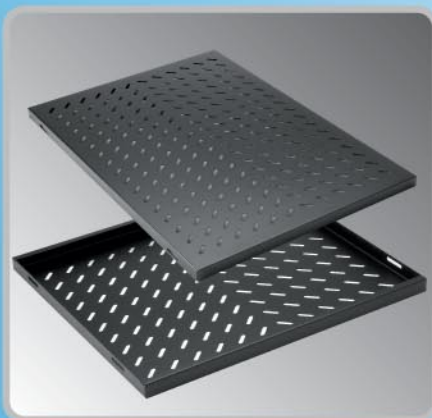
Part Name	Part Code.	Rated Load
Shelf Vented Telescopic Heavy Duty 450 Deep	SVTHD450	70 KG.
Shelf Vented Telescopic Heavy Duty 550 Deep	HDCS5022	70 KG.
Shelf Vented Telescopic Heavy Duty 650 Deep	SVTHD650	70 KG.
Shelf Vented Telescopic Heavy Duty 700 Deep	HDCS7028	70 KG.



Support Rails:

When additional support is needed for heavy loads, our support rails provide a suitable option. Available in four depths, the rails mount into the 19" rail side flanges and can support loads up to 50 kg

Part Name	Part Code.	Rated Load
Support Rail 450 Deep	SRL450	50 KG.
Support Rail 550 Deep	SRL550	50 KG.
Support Rail 650 Deep	SRL650	50 KG.
Support Rail 700 Deep	SRL700	50 KG.



Standard Fixed Shelves:

Our standard fixed shelves will support loads up to 50 kg. The shelves are vented to assist air flow within the cabinet. There are 5 depths, from 450 mm up to 800 mm, depending on your requirement and cabinet depth. The shelves mount to the inside flange of the 19" rails. A 38 mm slot allows for precise adjustment.

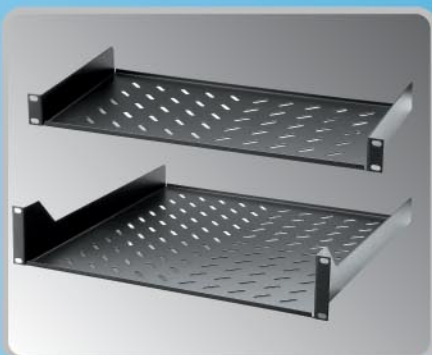
Part Name	Part Code.	Rated Load
Shelf Vented Fix 450 Deep	SVF450	50 KG.
Shelf Vented Fix 550 Deep	SVF550	50 KG.
Shelf Vented Fix 650 Deep	SVF650	50 KG.
Shelf Vented Fix 700 Deep	SVF700	50 KG.
Shelf Vented Fix 800 Deep	SVF800	50 KG.



Heavy Duty Fixed Shelves:

If your load requirements exceed our standard shelf range, we have a heavy duty option. These shelves come in the same sizes as our standard line, but have increased metal thickness and extra stiffeners added. Loads up to 100 kg can be supported. The Heavy Duty range attaches to the inside flange of the 19" rail.

Part Name	Part Code.	Rated Load
Shelf Vented Fix Heavy Duty 450 Deep	SVFHD450	100 KG.
Shelf Vented Fix Heavy Duty 550 Deep	SVFHD550	100 KG.
Shelf Vented Fix Heavy Duty 650 Deep	SVFHD650	100 KG.
Shelf Vented Fix Heavy Duty 700 Deep	SVFHD700	100 KG.
Shelf Vented Fix Heavy Duty 800 Deep	SVFHD800	100 KG.



Light Equipment :

These shelves mount directly to the front of the 19" vertical rails and can support loads up to 20 kg. Our selection of seven heights and depths will provide the most suitable solution for you. Ideal for smaller non-rack mountable devices.

Part Name	Part Code.	Rated Load
Shelf Light Equipment 230 1U	SL2301U	20KG.
Shelf Light Equipment 330 1U	SL3301U	20KG.
Shelf Light Equipment 330 2U	SL3302U	20KG.
Shelf Light Equipment 390 1U	SL3901U	20KG.
Shelf Light Equipment 390 3U	SL3903U	20KG.
Shelf Light Equipment 430 2U	SL4302U	20KG.
Shelf Light Equipment 460 2U	SL4602U	20KG.

ACCESSORIES AND ENHANCEMENTS



Cable Hoops:

Sturdy heavy grade steel hoops which can easily be installed in a variety of locations offers a flexible and cost effective cable management system. Available in 5 sizes, these hoops will help get your wiring under control.

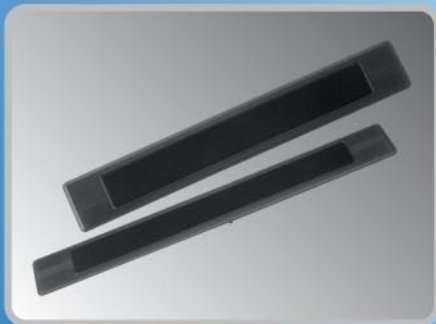
Part Name	Part Code.
1U 2.25" Cable Hoop	CH1U225BLK
2U 2.25" Cable Hoop	CH2U225BLK
1U 3.25" Cable Hoop	CH1U325BLK
2U 3.25" Cable Hoop	CH2U325BLK



Hardware Bag:

Useful set of 50 M6 caged nuts, plastic cup washers with matching screw and handy caged nut installation/removal tool.

Part Name	Part Code.
Hardware Bag (50 sets nut/screw/cup + tool)	HDWB50



Cable Entry Covers:

Available in steel or plastic, these plates cover cable entry slots in the roof and plinth.

Part Name	Part Code.
Cable Entry Cover Plastic	CECPSTBLK



Monitor Mask and Shelf:

Our monitor mask and shelf kit provides both an installation platform for your monitor as well as air management solution. The shelf with adjustable bracket to lock in your monitor is combined with full U space blocking to prevent cool air leakage. Easy open panel on mask allows access to monitor controls when needed.

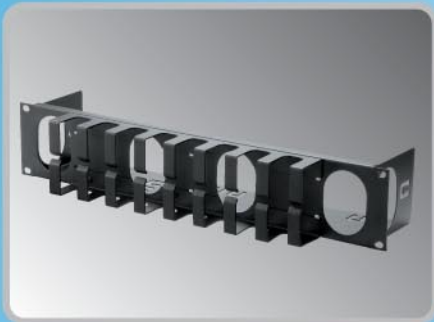
Part Name	Part Code.
Monitor Mask Kit	MNTMSKBLK



Key Board Shelf:

A perfect companion to our monitor mask / shelf kit, this retractable shelf is equipped with an adjustable arm to ensure cables do not get tangled and damaged. Sloped front edge gives user comfortable resting area for hands.

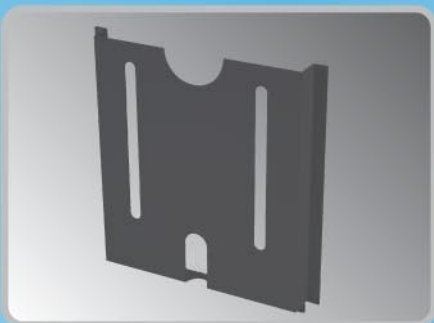
Part Name	Part Code.
Telescopic Keyboard Tray Kit	KYBTRYBLK



Cable Management Panels:

Our 19" mounted cable panels provides the solution to those loose cables in the front of your rack. Our panels are available in 1U and 2U heights, with solid or pass through access cut into the panels. Numerous slots provided as cable tie off points.

Part Name	Part Code.
1U cable Management Panel Pass Through	CMP1UPBLK
2U cable Management Panel Pass Through	CMP2UPBLK



Document Wallet:

Convenient compartment for storing documents or disks. Approximately 10" square, the document wallet attaches to a door in a location suitable for your needs.

Part Name	Part Code.
Document Wallet 250x250	DCW250BLK

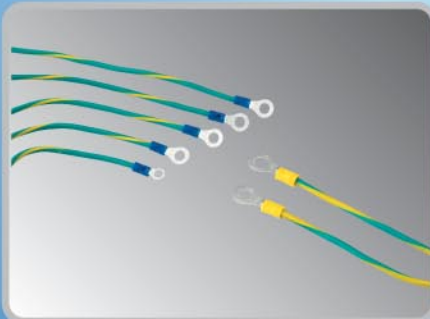
ACCESSORIES AND ENHANCEMENTS



Power Distribution Units:

Add power points where you need them. Vertical mounted available with 6 or 10 points, and 19" mounted version has 6 points. All models equipped with safety breaker.

Part Name
AC Power Distribution 6 Outlet
19" AC Power Distribution 6 Out Let
AC Power Distribution 12 Outlet



Grounding Kit:

Ensures ground continuity between all parts of the rack and installation site ground point, wires are 10 AWG and UL rated.

Part Name	Part Code.
Grounding Kit	GRNDKIT



Castors:

Heavy duty casters tested to 250 kg Dynamic load. Rated to UL-94 HB.

Part Name	Part Code.
Castor 200# Dynamic	CAS200



Fan Trays:

For supplemental air flow, we can provide two or three way fan trays. Fan trays can be purchased with or without fans.

Part Name	Part Code.
Roof Mount Fan Plate 3 fans (Metal Only)	RMFT3CYBLK
Roof Mount Fan Plate 2 fans (Metal Only)	RMFT2CYBLK
Roof Mount Fan Tray 2 fans (Metal Only)	RMFT2WBBLK
19" Fan Tray 3 fans (Metal Only)	19FT3MBLK
19" Fan Tray 2 fans (Metal Only)	19FT2MBLK
Roof Mount 2 Way Fan Tray Complete set	RMVFT2WBBLK
Roof Mount 3 Way Fan Tray Complete set	RMVFT3CYBLK



Leveling Feet:

Ensure alignment and level out your racks on uneven surfaces. Our leveling feet have a minimum rating of 295 kg and are UL-94 HB compliant.

Part Name	Part Code.
Leveling Feet (each)	LEVLFT



Bolt Down Brackets:

Secure your rack in position with our bolt down solution L shaped brackets. Attach to the front and rear sides of the plinth then into the floor.

Part Name	Part Code.
Bolt Down Kit	YBLTDNBLK



Blank Panel:

A frequently over looked component in air flow management, blank or filler panels allow you to close up unused U space. This forces incoming cool air to pass through active components with pull fans already installed in your cabinet. Available in 1U through 5U.

Part Name	Part Code.
Blank Panel Steel 1U	PBLS1UBLK
Blank Panel Steel 2U	PBLS2UBLK
Blank Panel Steel 3U	PBLS3UBLK
Blank Panel Steel 4U	PBLS4UBLK
Blank Panel Steel 5U	PBLS5UBLK