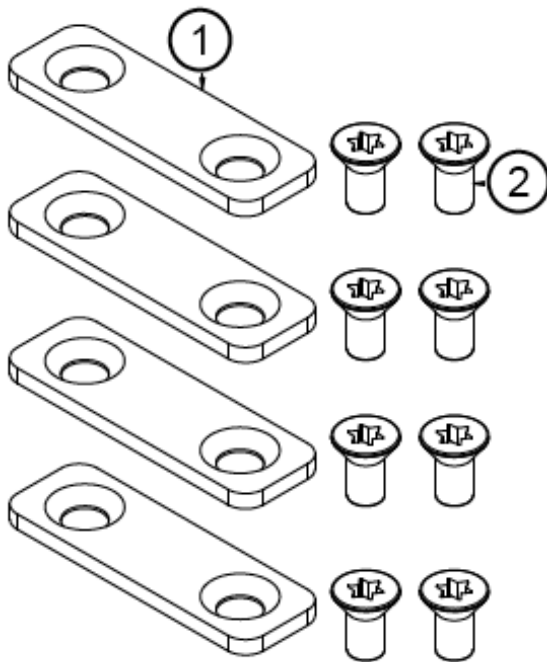


Baying Kit for Arion Rack

Product Information



Features

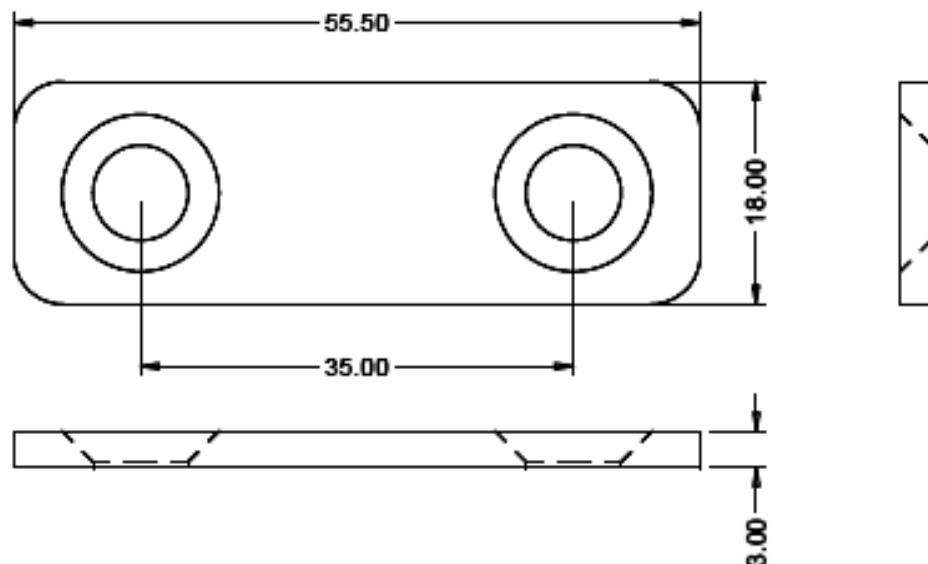
- Bays two or more racks together
- Bays at front and rear frame
- Lines up the rack
- Improves rack stability
- Uses ROHS compliant materials
- Conforms to ASTM D610-01 and ASTM B117 (500 hours salt spray test)

Materials/Finish

- High grade cold rolled steel 2.00 mm thickness.
- Powder coat finish preceded by 5 stage iron phosphate pretreatment.
- Standard color is low gloss black.

Part Code	Description
1. BAYKITABLK	Arion Baying Kit (set of 4) Black

Dimensions



Cheval Electronic Enclosure Co., Ltd.

International Contact : Tel : +66 (0) 2315 1504
 Thailand Contact : Tel : +66 (0) 2744 1632

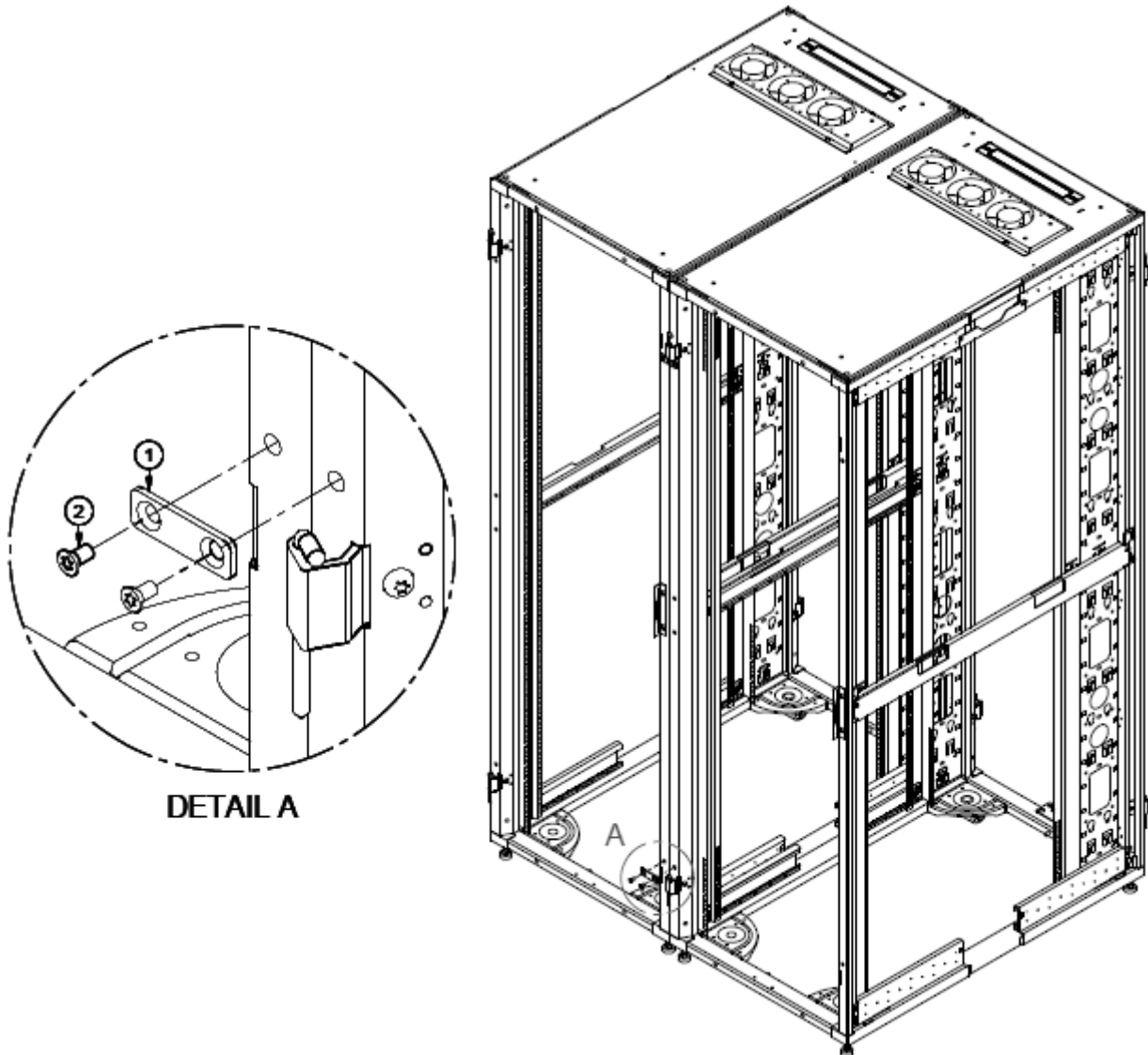
Fax : +66 (0) 2315 1506
 Fax : +66 (0) 2399 1783

E-mail : commce@chevalgrp.com
 E-mail : domestic_sales@chevalgrp.com

Product Information

Installation

1. Level racks so that baying bracket holes are aligned.
2. Using T-30 Torx wrench or screw driver, install the screw as shown.
3. Repeat on all four brackets.



Note : Torque 25-30 in lbs

Cheval Electronic Enclosure Co., Ltd.

International Contact : Tel : +66 (0) 2315 1504
Thailand Contact : Tel : +66 (0) 2744 1632

Fax : +66 (0) 2315 1506
Fax : +66 (0) 2399 1783

E-mail : commce@chevalgrp.com
E-mail : domestic_sales@chevalgrp.com