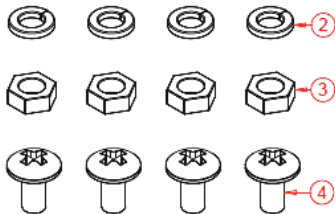
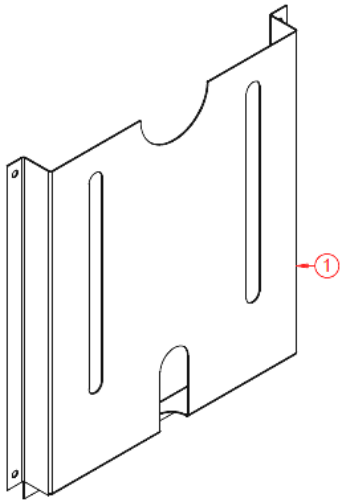


Product Information



Features

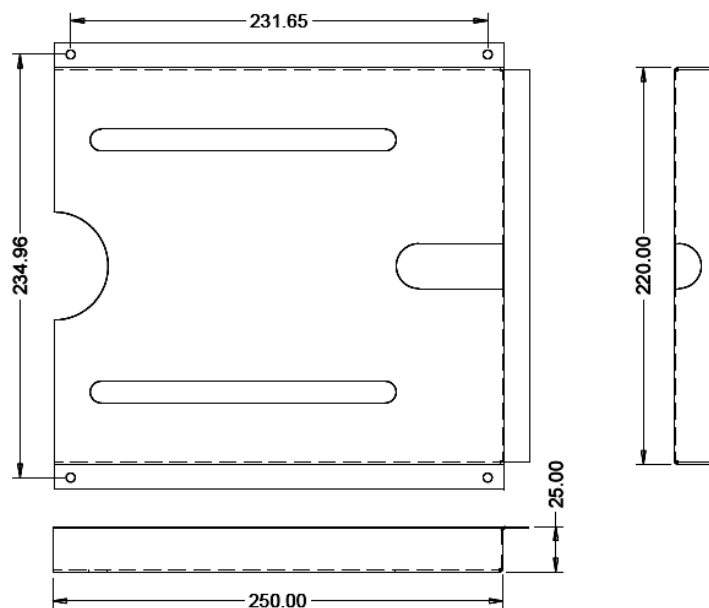
- Direct access
- Mounted to inside door
- Light weight
- RoHS compliance
- Conforms to ASTM D610-01 and ASTM B117 (500 hours salt spray test)

Materials/Finish

- High grade cold rolled steel 0.9 mm thickness.
- Powder coat finish preceded by 5 stage iron phosphate pretreatment.
- Standard color is low gloss black.

Part Code	Description
DCW250BLK	Document Wallet

Dimensions



Document Wallet for Arion rack

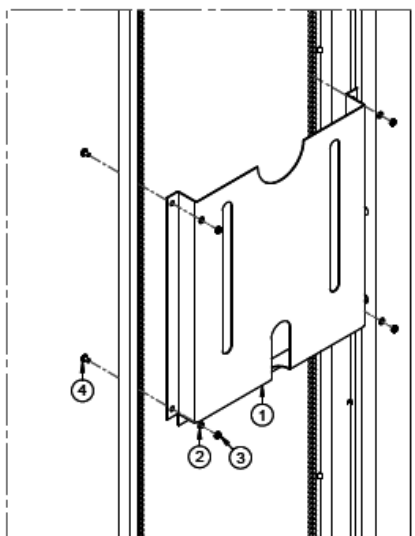
Product Information

Part List

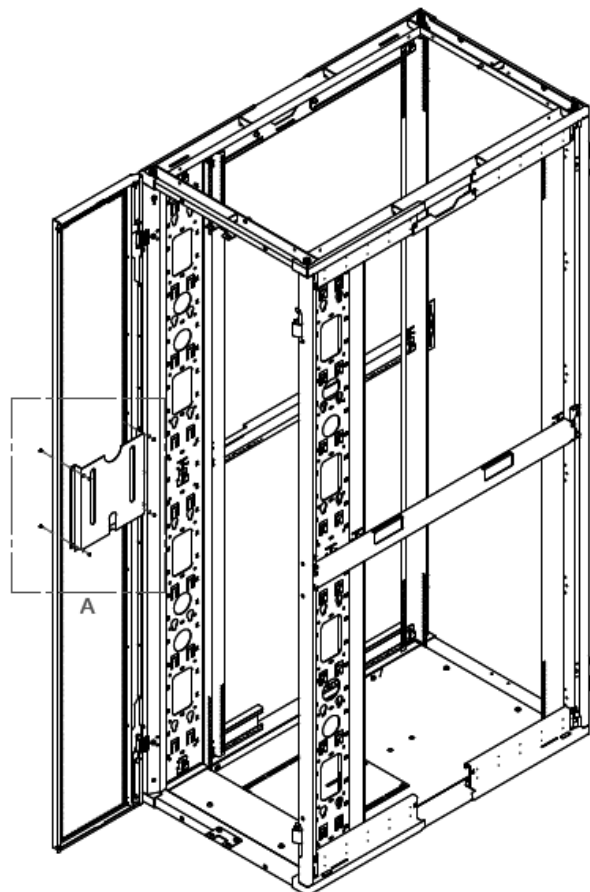
Description	Quantity
1. Document Wallet	1 piece
2. Spring washer M3	4 pieces
3. Flat washer M3	4 pieces
4. Umbrella Phillips M3x8	4 pieces

Installation

1. Put Document Wallet at your desire location on Double door.
2. Align four holes on Document Wallet to be the same center as holes on Double door.
3. Fix Document wallet to Double door with four of spring washer flat washer and M3x umbrella Phillips screw.
4. Tighten with torque 15-20 inched lbs.



DETAIL A



Cheval Electronic Enclosure Co., Ltd.

International Contact : Tel : +66 (0) 2315 1504
 Thailand Contact : Tel : +66 (0) 2744 1632

Fax : +66 (0) 2315 1506
 Fax : +66 (0) 2399 1783

E-mail : commce@chevalgrp.com

E-mail : domestic_sales@chevalgrp.com