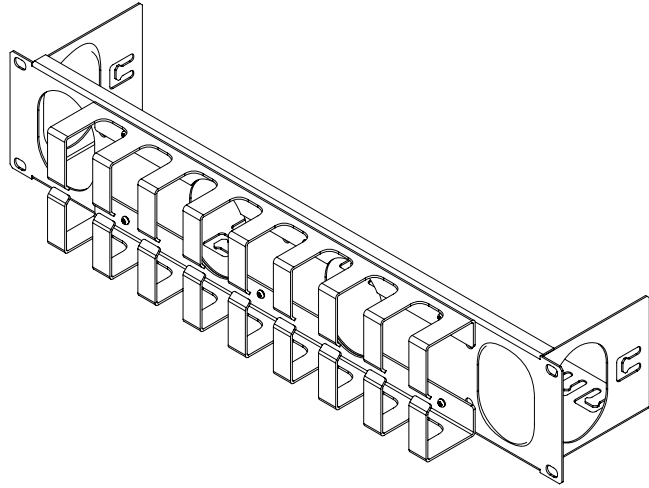


Cable Management Panel Pass Through 2U



Product Information

Our 19" rack mounted Cable management panels provide the solution to those loose cables in the front of your rack. Our panels are available in 1U and 2U heights, with pass through access cut into the panels. Numerous slots provided as cable tie off points.



Part Number	Part Name
CMP2UPBLK	2U Cable Management Panel Pass Through Black

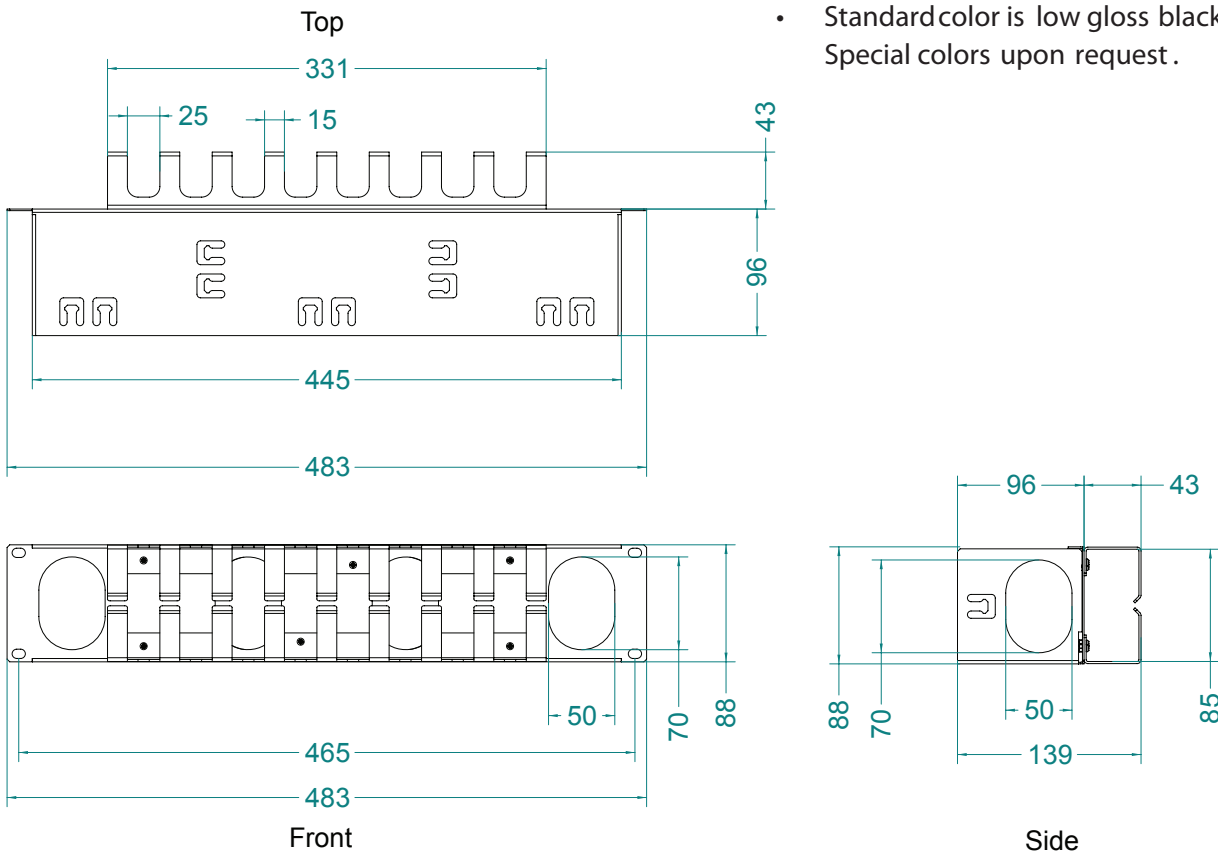
Features

- EIA-310E 19" Standard
- Front and side openings for cable routing points
- Multiple cable tie off points provide convenient locations to tie down your cables
- Cable capacity : 84 CAT 5e cables
- RoHS compliant

Material / Finish

- High grade cold rolled steel 1.2mm thickness
- Powder coat finish preceded by 5 stage iron phosphate pretreatment
- Standard color is low gloss black
Special colors upon request.

Dimensions*



*Dimensions are in millimeter

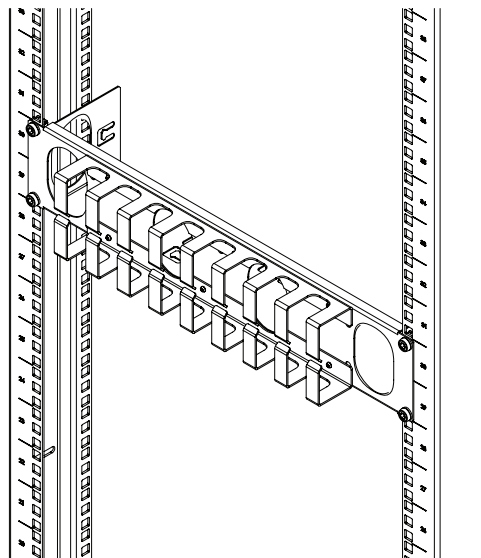
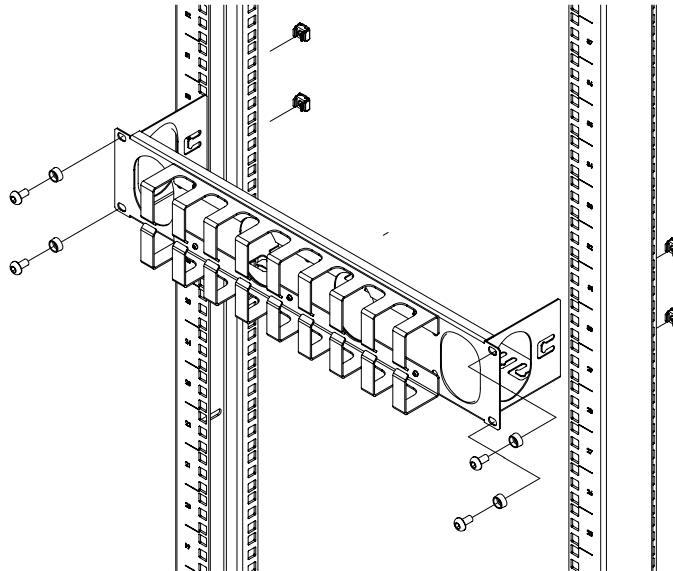
Cheval Group of Companies

Head Office : Email : Commce@chevalgrp.com Tel : +66 2315 1504-5 Fax : +66 2315 1506
 Thailand Domestic Sales Office : domestic_sales@chevalgrp.com Tel : +66 2744 1632 Fax : +66 2399 1783
www.chevalgrp.com

Cable Management Panel Pass Through 2U

Product Information

Application and Installation :



Contents of KIT :

Item	Part Name	Qty
1	Cable Management Panel 2U	1
2	Cable Management Ring 2U	2
3	Screw M3x0.5-6 Umbrella Philips	6
4	Nut M3	6
5	Caged Nut M6 14-16 SWG	4
6	Washer M6 Black (Plastic Cup)	4
7	Hex Socket Cap Screw M6-12	4

Cheval Group of Companies

Head Office : Email : Commce@chevalgrp.com Tel : +66 2315 1504-5 Fax : +66 2315 1506
Thailand Domestic Sales Office : domestic_sales@chevalgrp.com Tel : +66 2744 1632 Fax : +66 2399 1783
www.chevalgrp.com