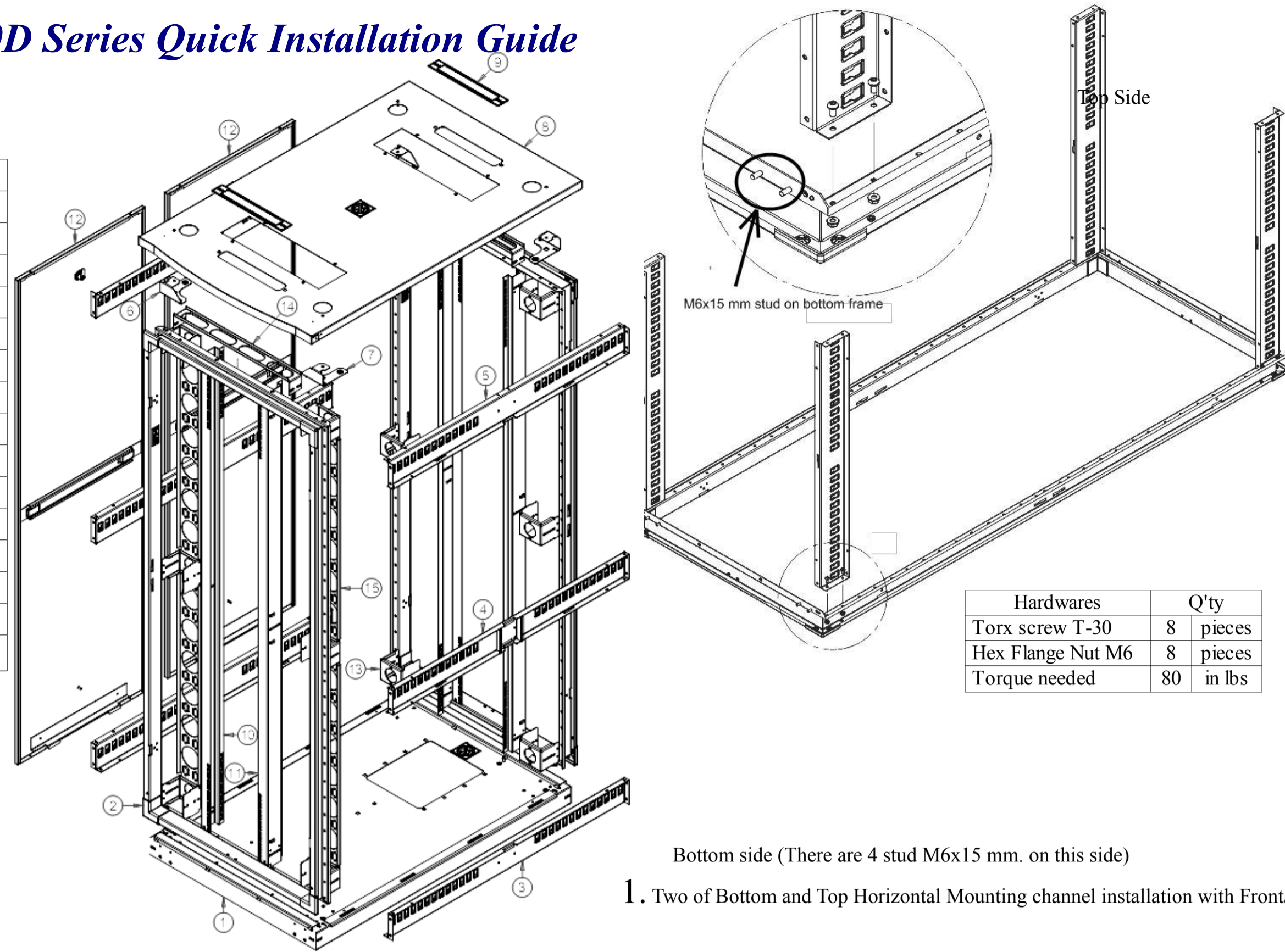


Cyberack 800W 800D-1200D Series Quick Installation Guide

Part List

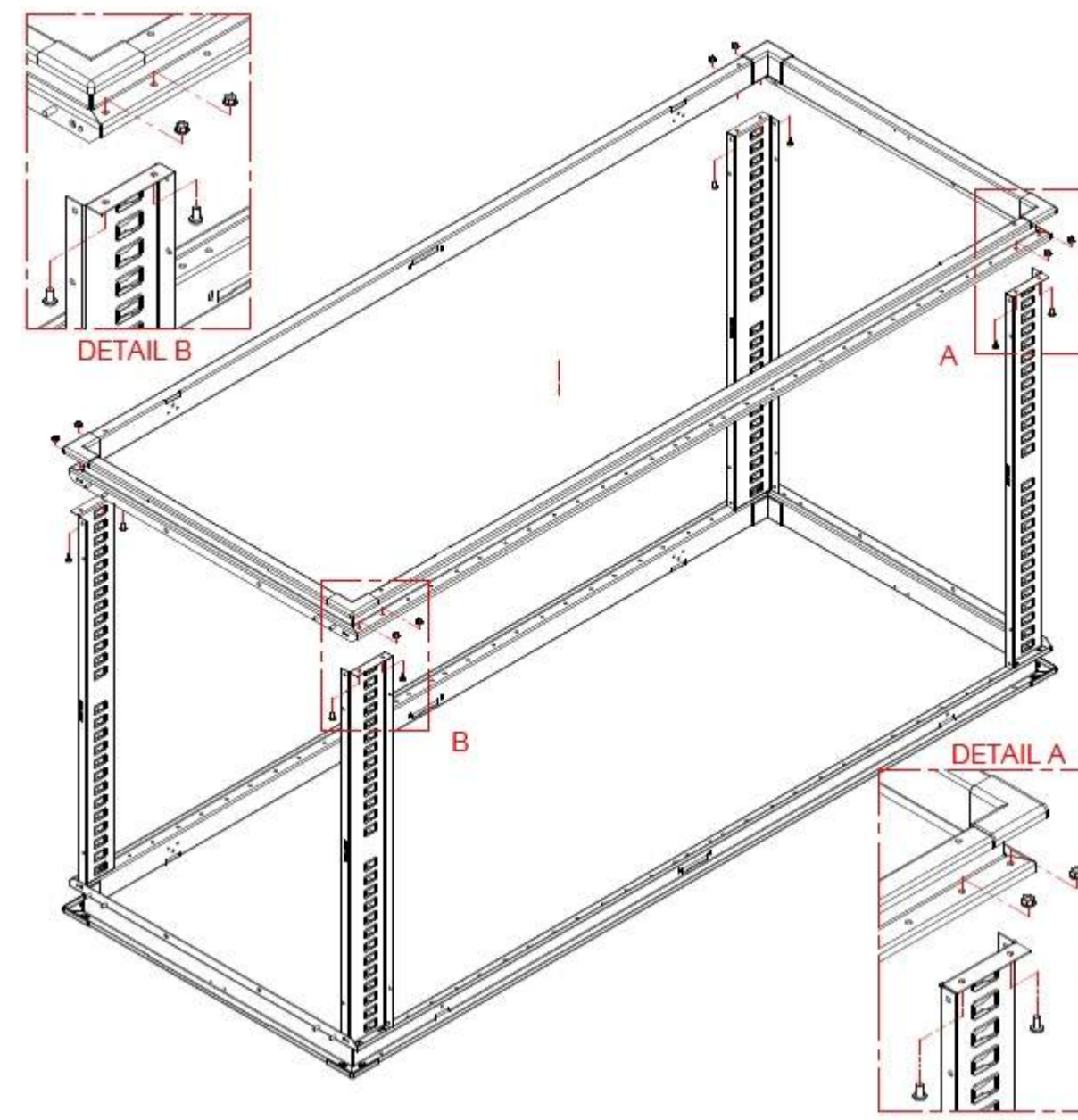
Item	Part Name	Q'ty
1	Plinth 800W	1
2	Front/Rear Frame 800W Assembly	2
3	Bottom Horizontal Mounting channel	2
4	Middle Horizontal Mounting channel	2
5	Top Horizontal Mounting channel	2
6	Top Corner LH	2
7	Top Corner RH	2
8	Top Curve 800W	12
9	Plastic Cover	4
10	Vertical Mounting Channel LH	2
11	Vertical Mounting Channel RH	2
12	Side Panel Assy 800-1000D or 1200D	2 or 4
13	VMC Adapter Brkt. [19" 800W]	3
14	Vertical Reinf. Brkt. [19" 800W]	2
15	Vertical Cable Rail	4

Recommended Tools :
 1. Torx screw driver T-30
 2. Philips screw driver
 3. Socket wrench 10MM



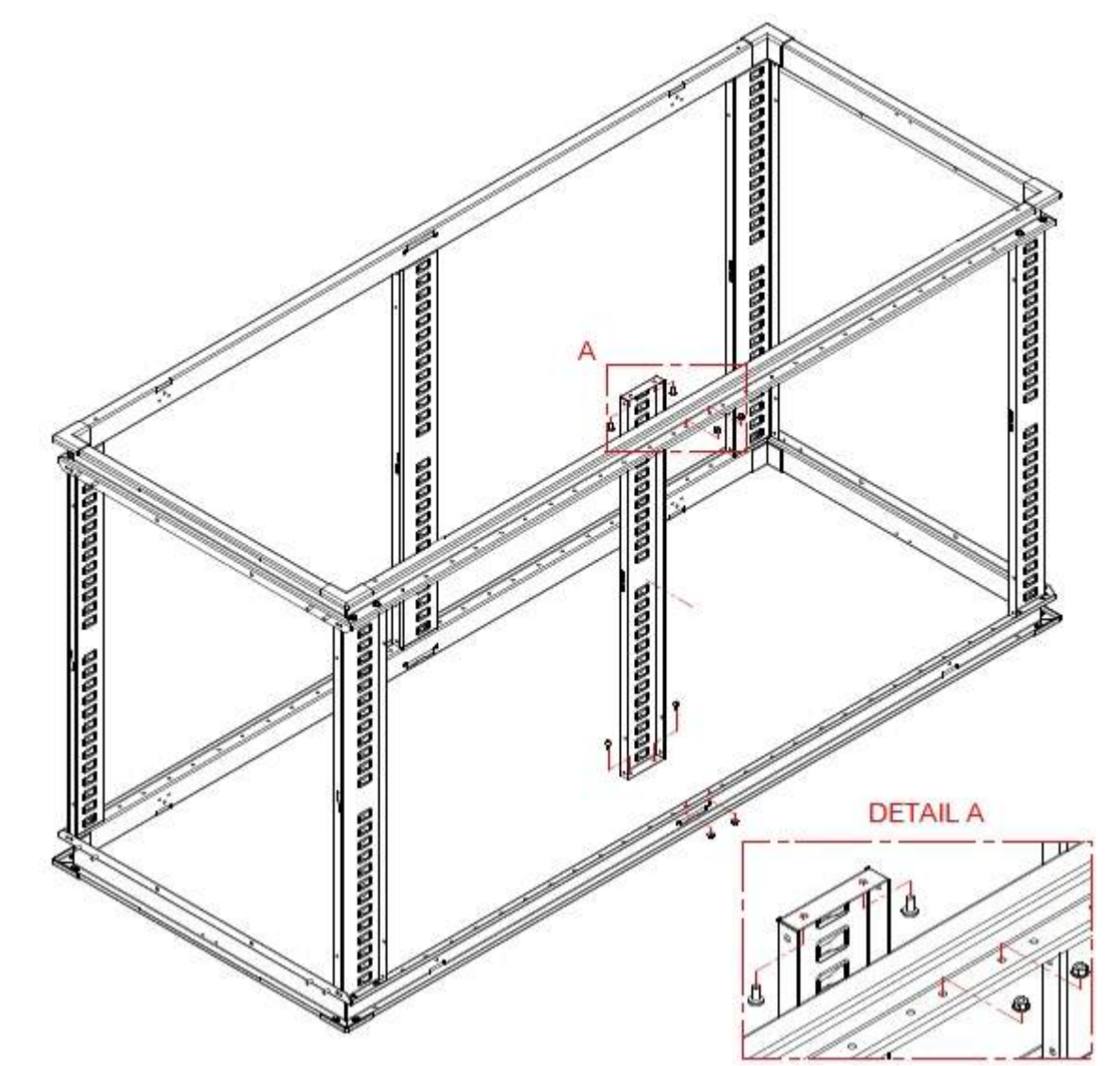
Hardwares	Q'ty
Torx screw T-30	8 pieces
Hex Flange Nut M6	8 pieces
Torque needed	80 in lbs

Bottom side (There are 4 stud M6x15 mm. on this side)
 1. Two of Bottom and Top Horizontal Mounting channel installation with Front/Rear Frame



Hardwares	Q'ty
Torx screw T-30	8 pieces
Hex Flange Nut M6	8 pieces

2. Another Front/Rear Frame installation

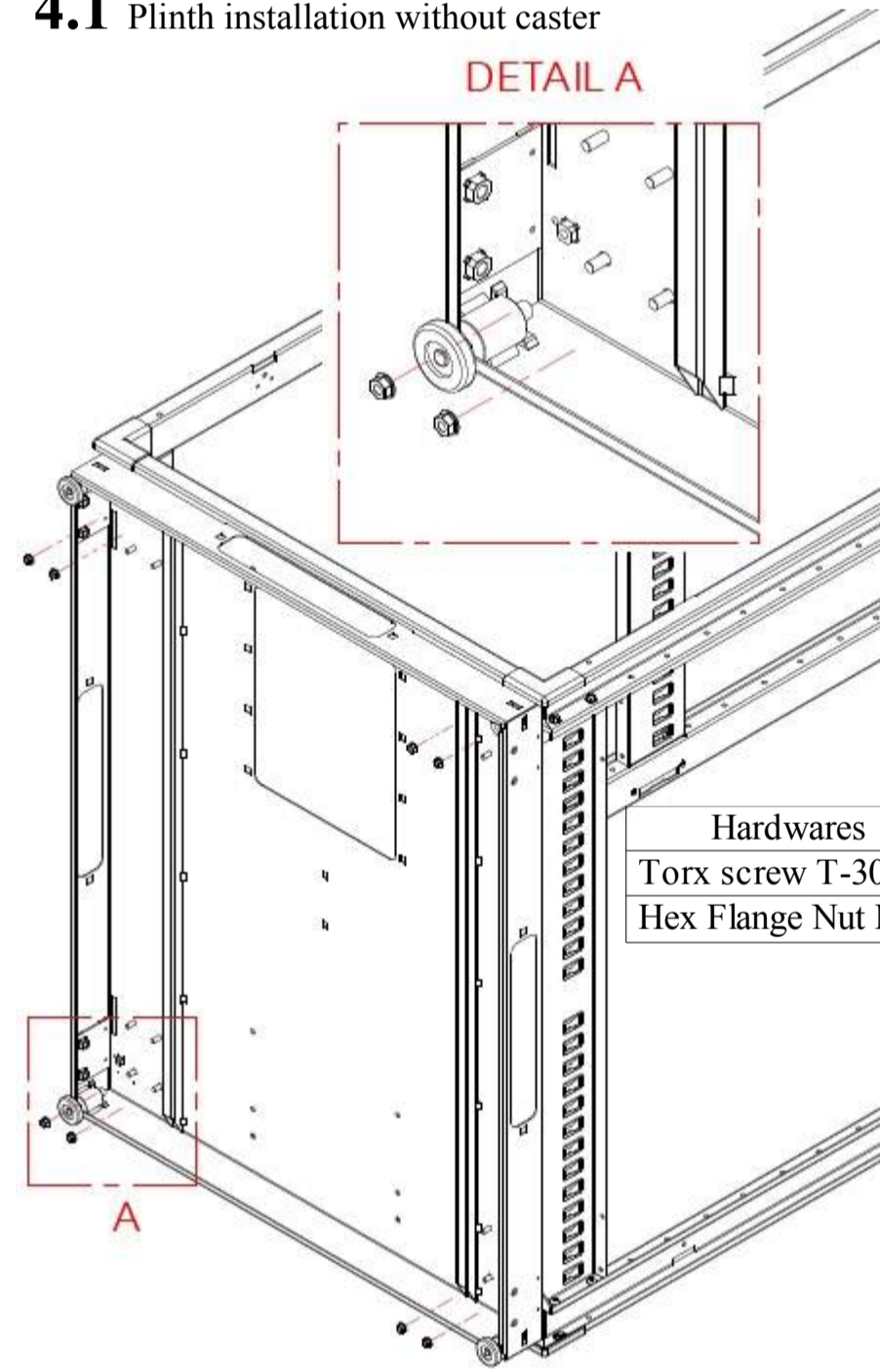


Hardwares	Q'ty
Torx screw T-30	8 pieces
Hex Flange Nut M6	8 pieces

3. Middle Horizontal Mounting channel installation

4. Plinth installation

4.1 Plinth installation without caster

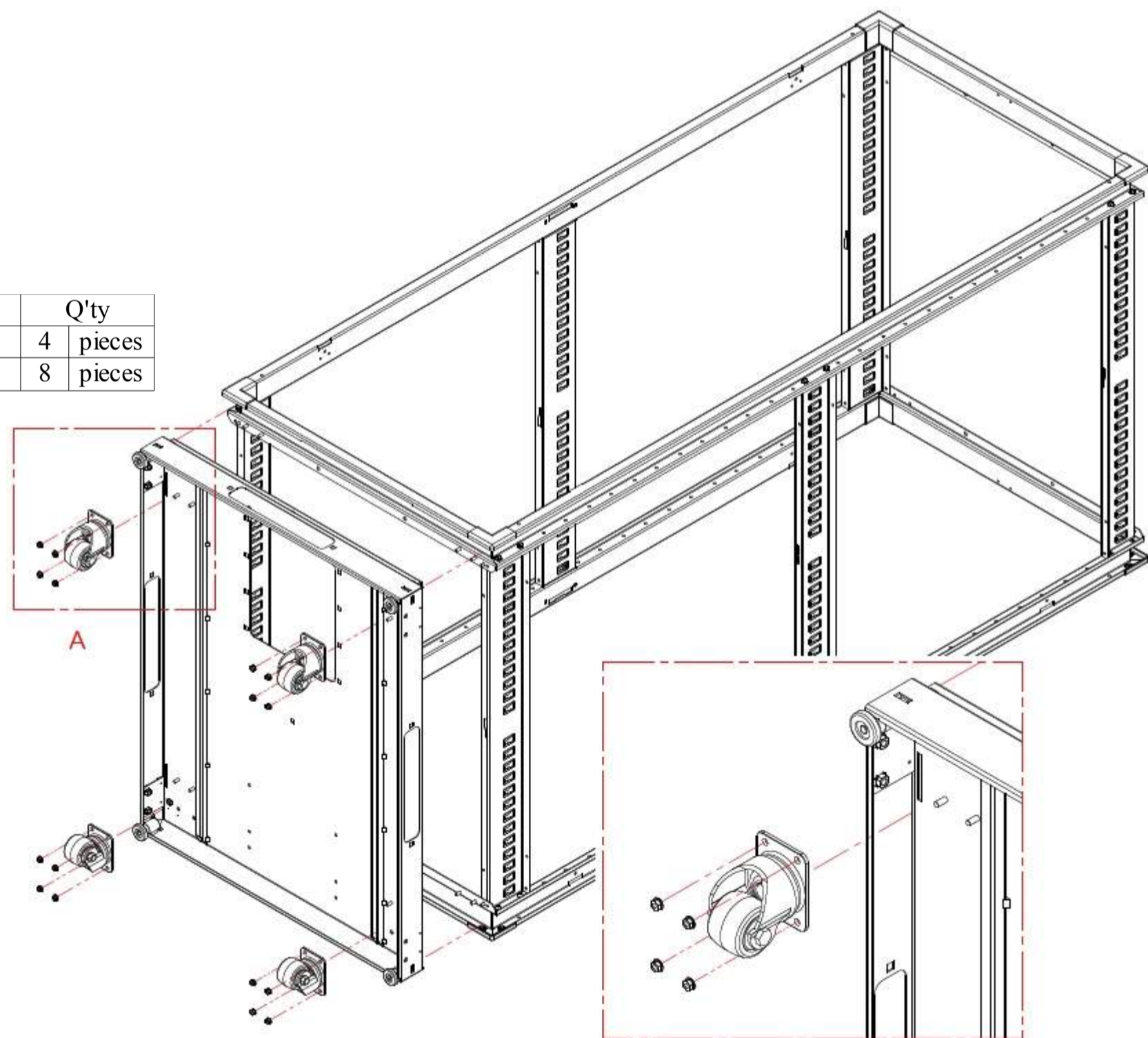


Hardwares	Q'ty
Torx screw T-30	4 pieces
Hex Flange Nut M6	8 pieces

4.2. Caster installation

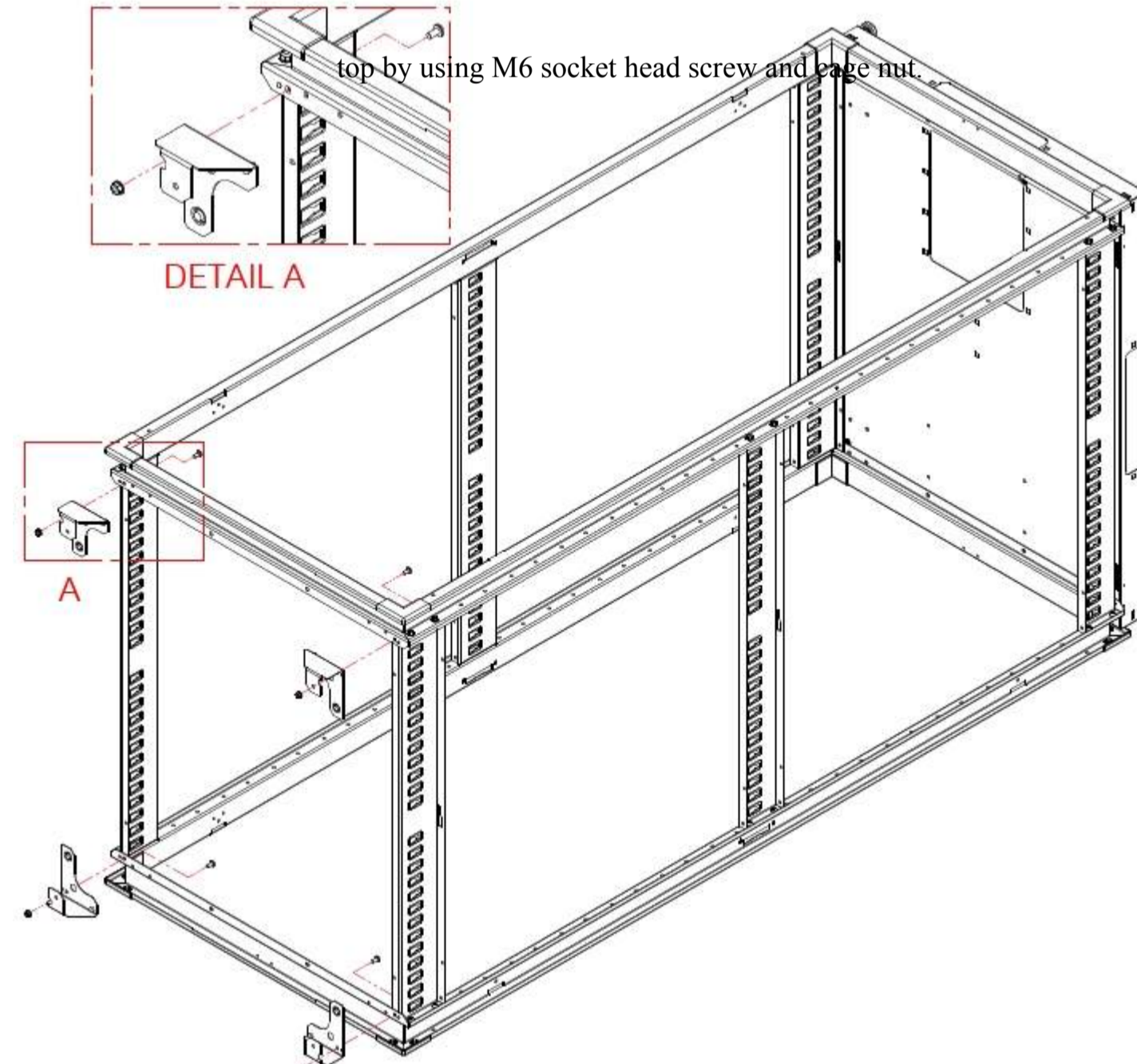
Fix Bottom Hor. to Plinth and casters with 16 hex flange nut (M6).

Hardwares	Q'ty
Torx screw T-30	- pieces
Hex Flange Nut M6	16 pieces (Needed 8 pieces more for caster)
Casters 2.5"	4 pieces



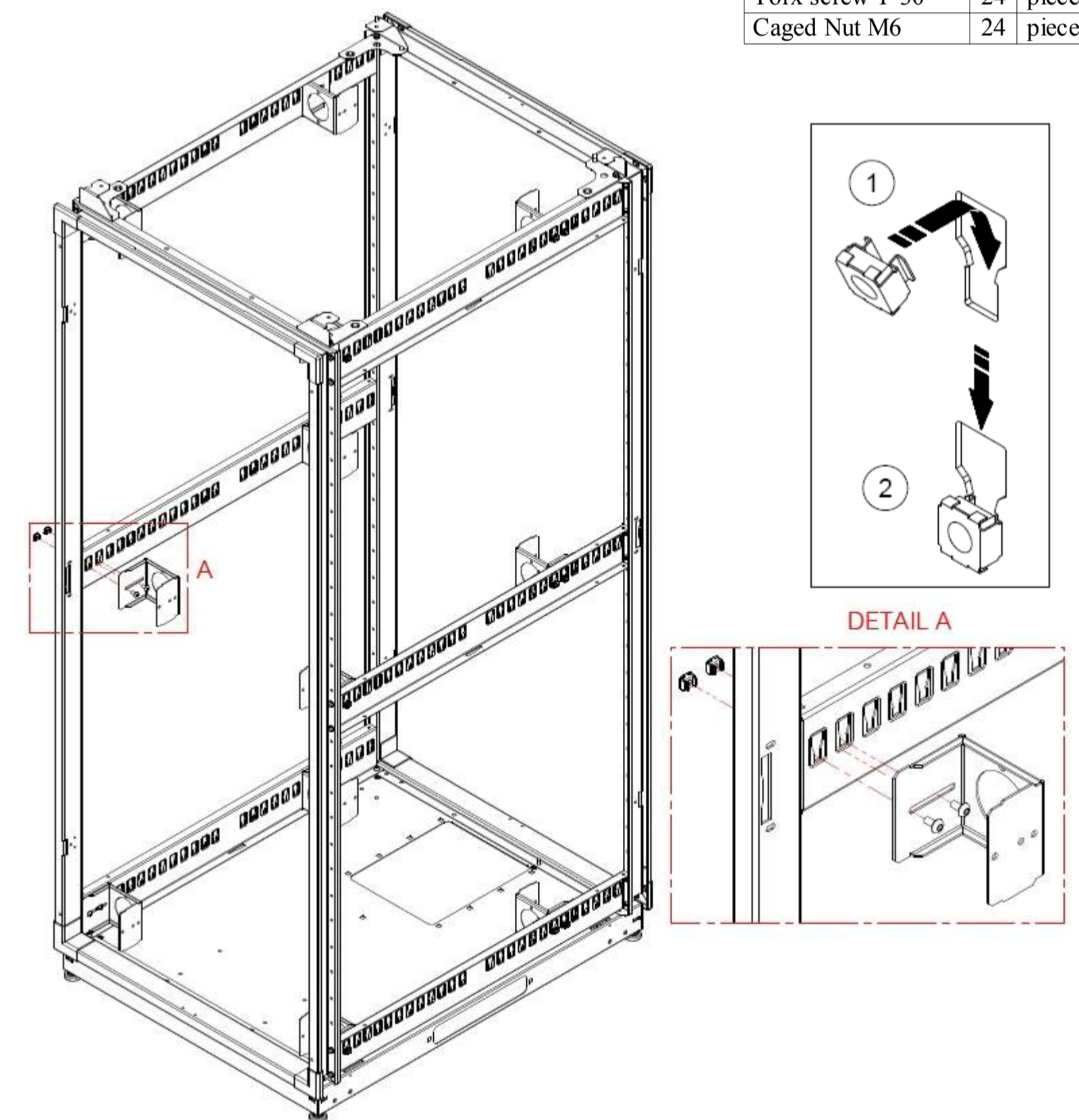
5. RH/LH Top corner installation (Tighten with M6 socket head screw and M6 hex flange nut 4 pieces at each)

Hardwares	Q'ty
Torx screw T-30	4 pieces
Hex Flange Nut M6	4 pieces



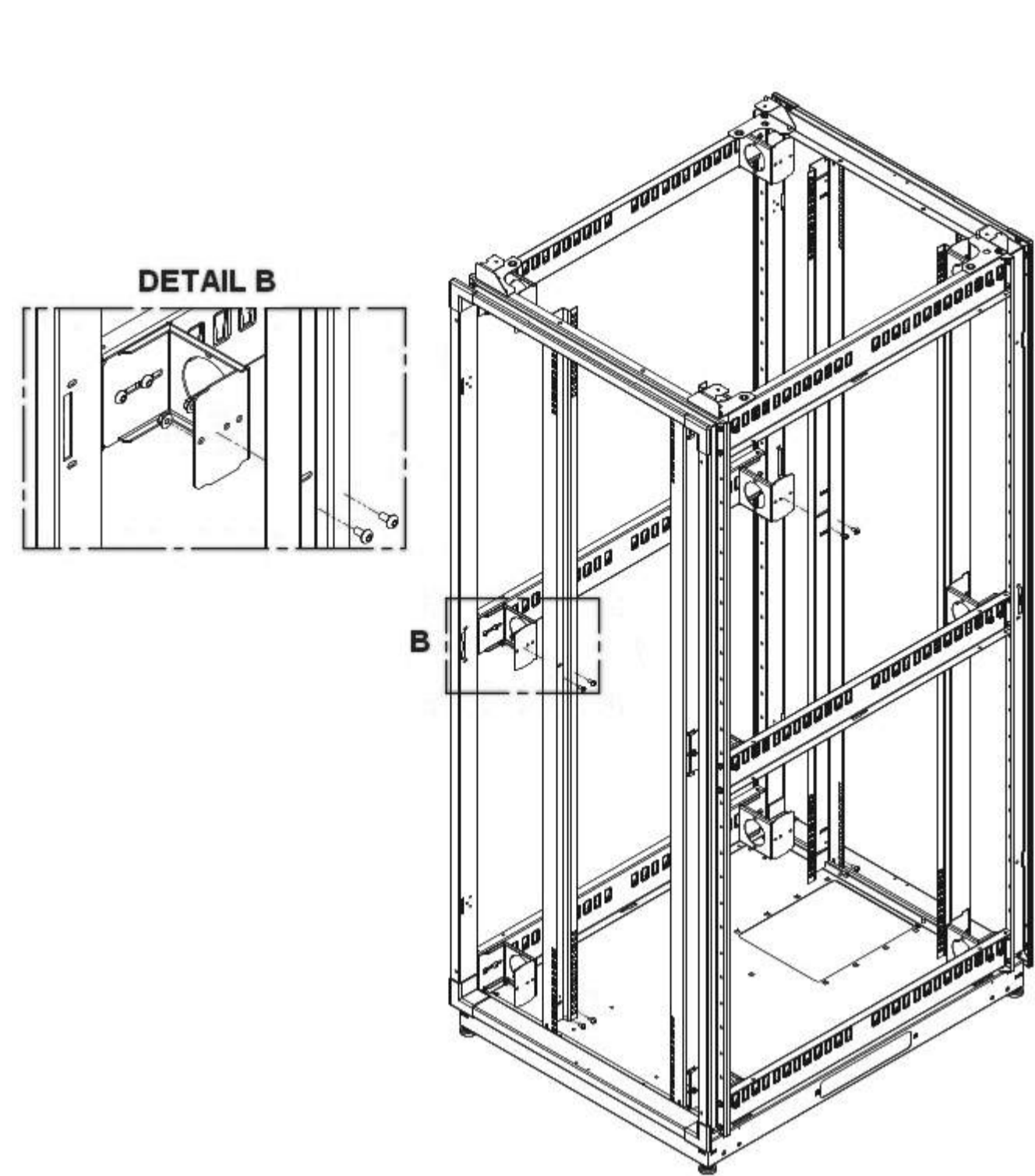
6. Vertical mounting channel adapter (VMC Adapter) installation to Horizontal mounting channel at front, rear, left and right side of frame. fixing VMC adapter to Horizontal mounting channel at bottom, middle and

Hardwares	Q'ty
Torx screw T-30	24 pieces
Caged Nut M6	24 pieces

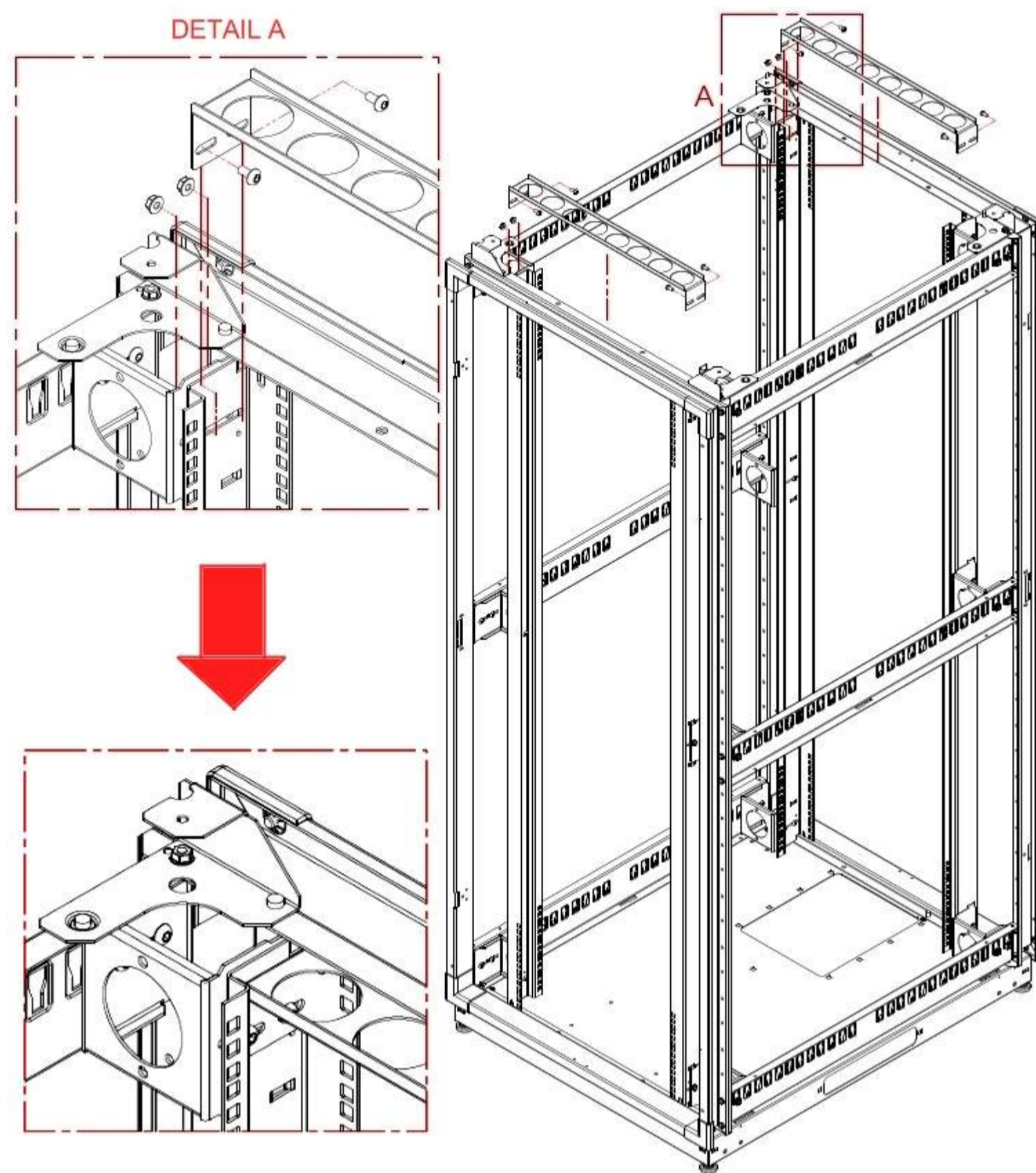


Tighten left and right Bottom Horizontal mounting channel through front/ rear frame to plinth with Torx screw T-30 four pieces.

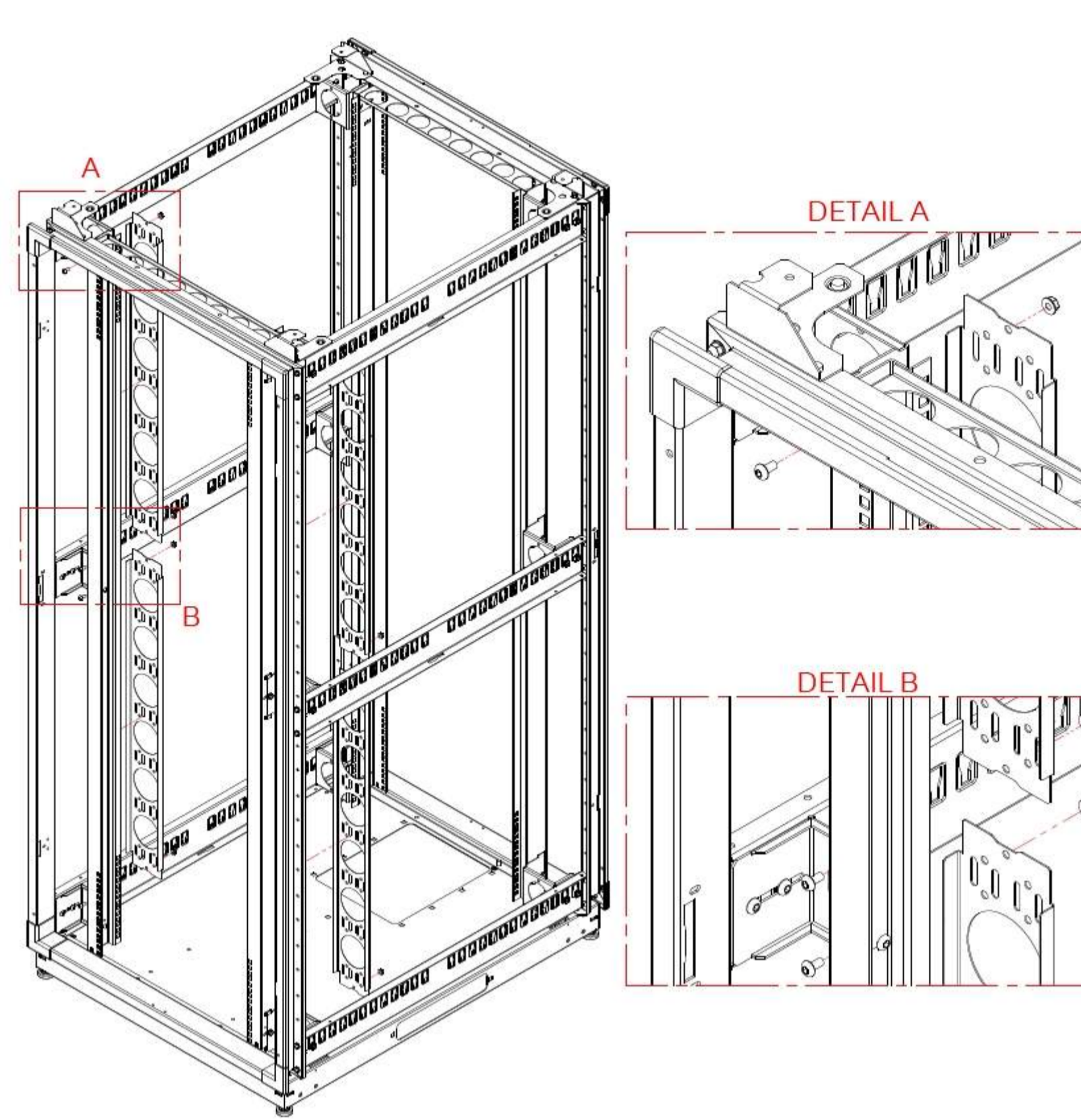
7. Vertical mounting channel installation
Install Vertical mounting channel to VMC adapter with two pieces of hex flange nut and socket head screw M6.



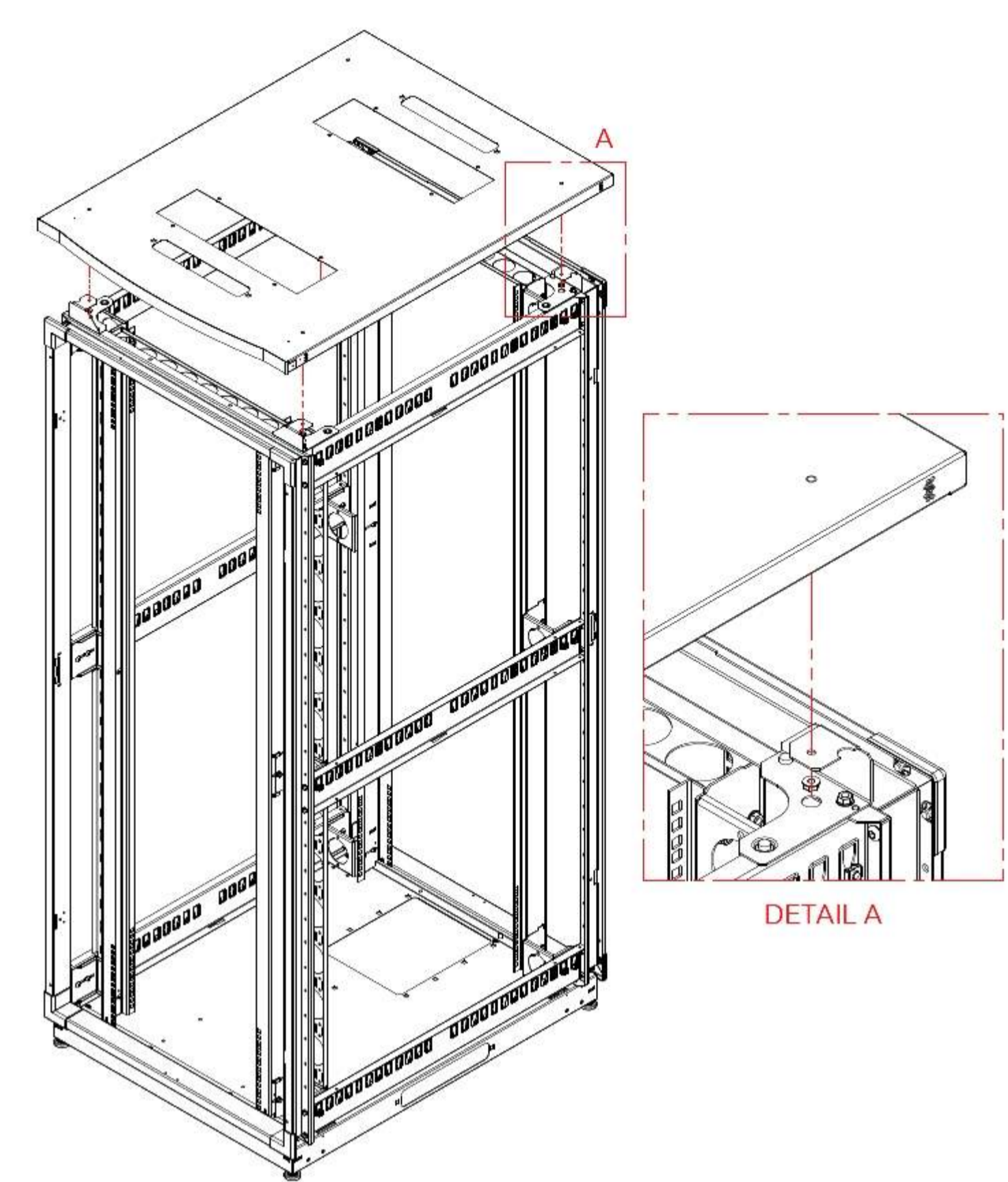
8. VMC Reinf. installation
Install VMC reinf. to both top of Vertical mounting channel on the left and right side



9. Vertical cable rail installation
Fix Vertical cable rail to VMC with two of M6 flange nut and M6 socket head screw at both end.



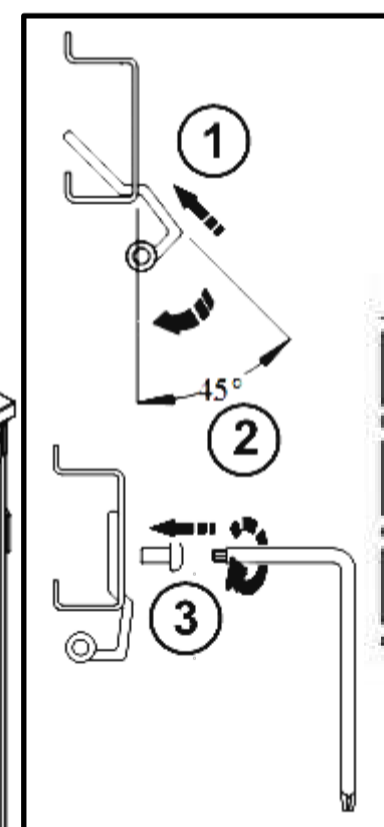
10. Vent Top curve weld installation
Fix Top Panel to top corner with M6 hex flange nut four pieces at all four corner.



11. Perforate curve Door installation

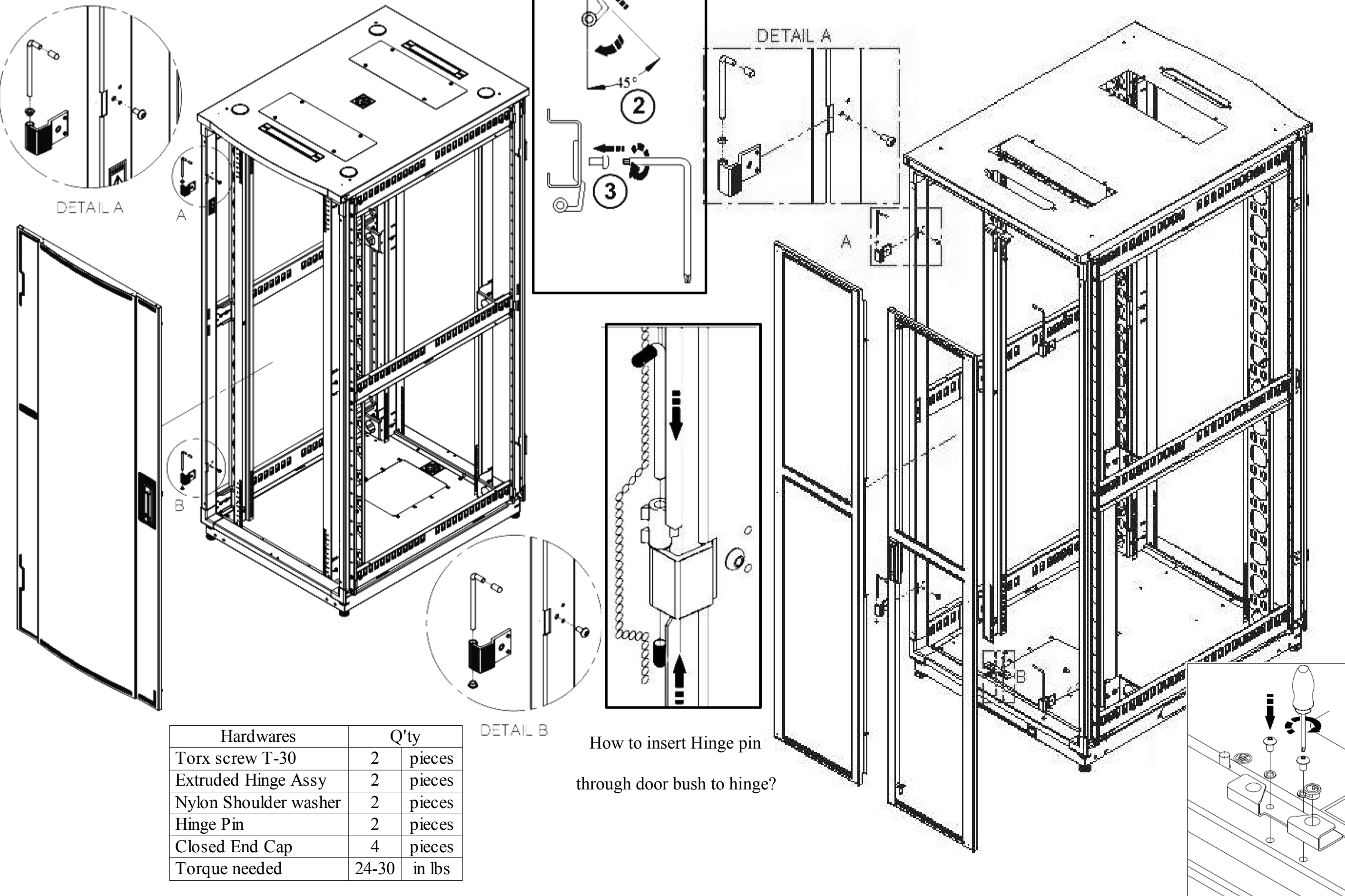
- 11.1 Install two extruded hinges on upper and lower frame
- 11.2 Insert Nylon shoulder washer into hinge hole.
- 11.3 Fix door to hinge then lock with hinge pin

How to Install Hinge to Frame?



12. Double door installation

Hardwares	Q'ty	Hardwares	Q'ty
Torx screw T-30	4 pieces	Philips screw M5	4 pieces
Extruded Hinge Assy	4 pieces	Spring Washer M5	4 pieces
Nylon Shoulder washer	4 pieces	Bushing Plastic 827-0060	2 pieces
Hinge Pin	4 pieces	Torque needed	15 in lbs
Closed End Cap	4 pieces		
Torque needed	24-30 in lbs		



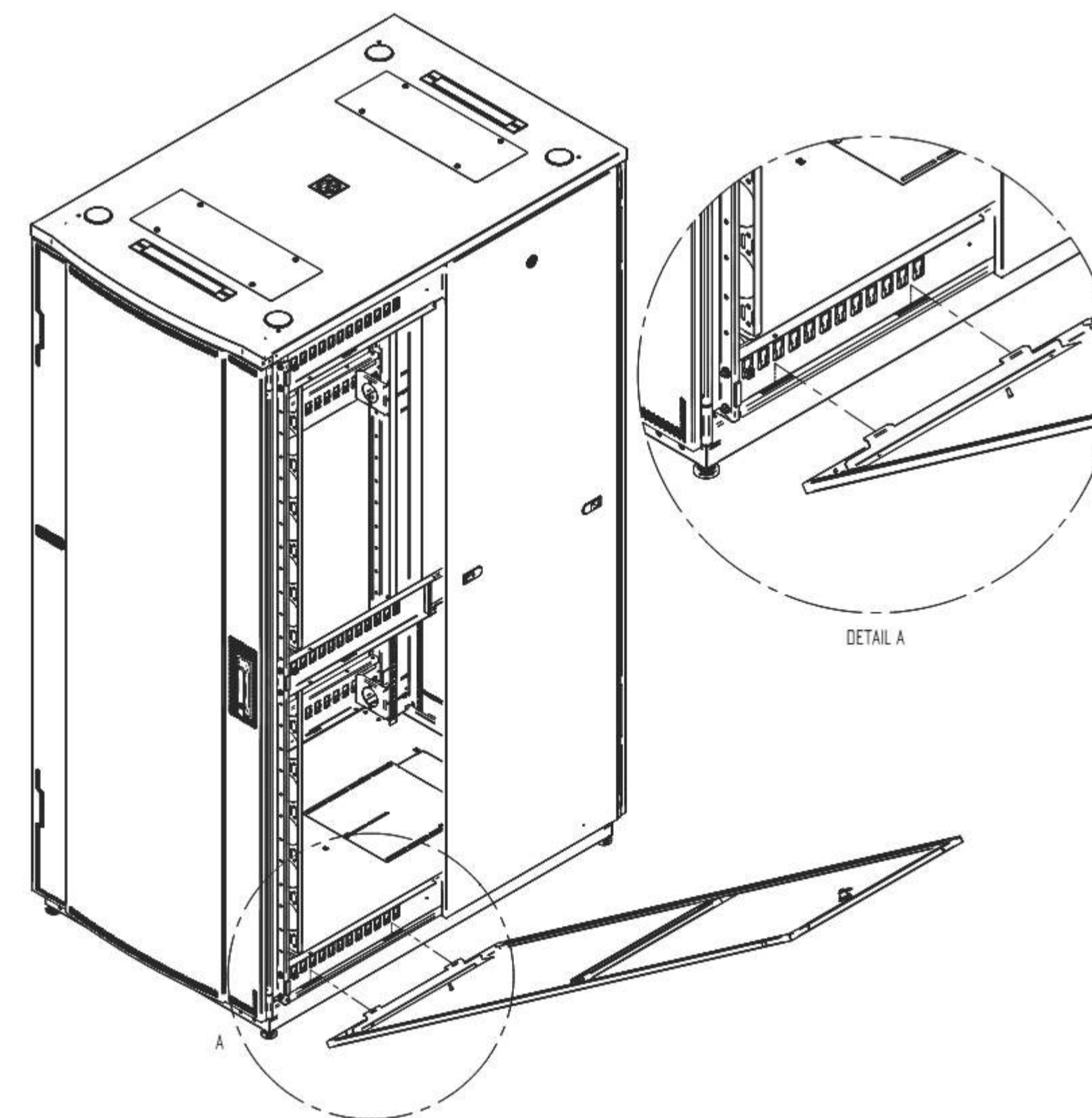
Hardwares	Q'ty
Torx screw T-30	2 pieces
Extruded Hinge Assy	2 pieces
Nylon Shoulder washer	2 pieces
Hinge Pin	2 pieces
Closed End Cap	4 pieces
Torque needed	24-30 in lbs

How to insert Hinge pin through door bush to hinge?

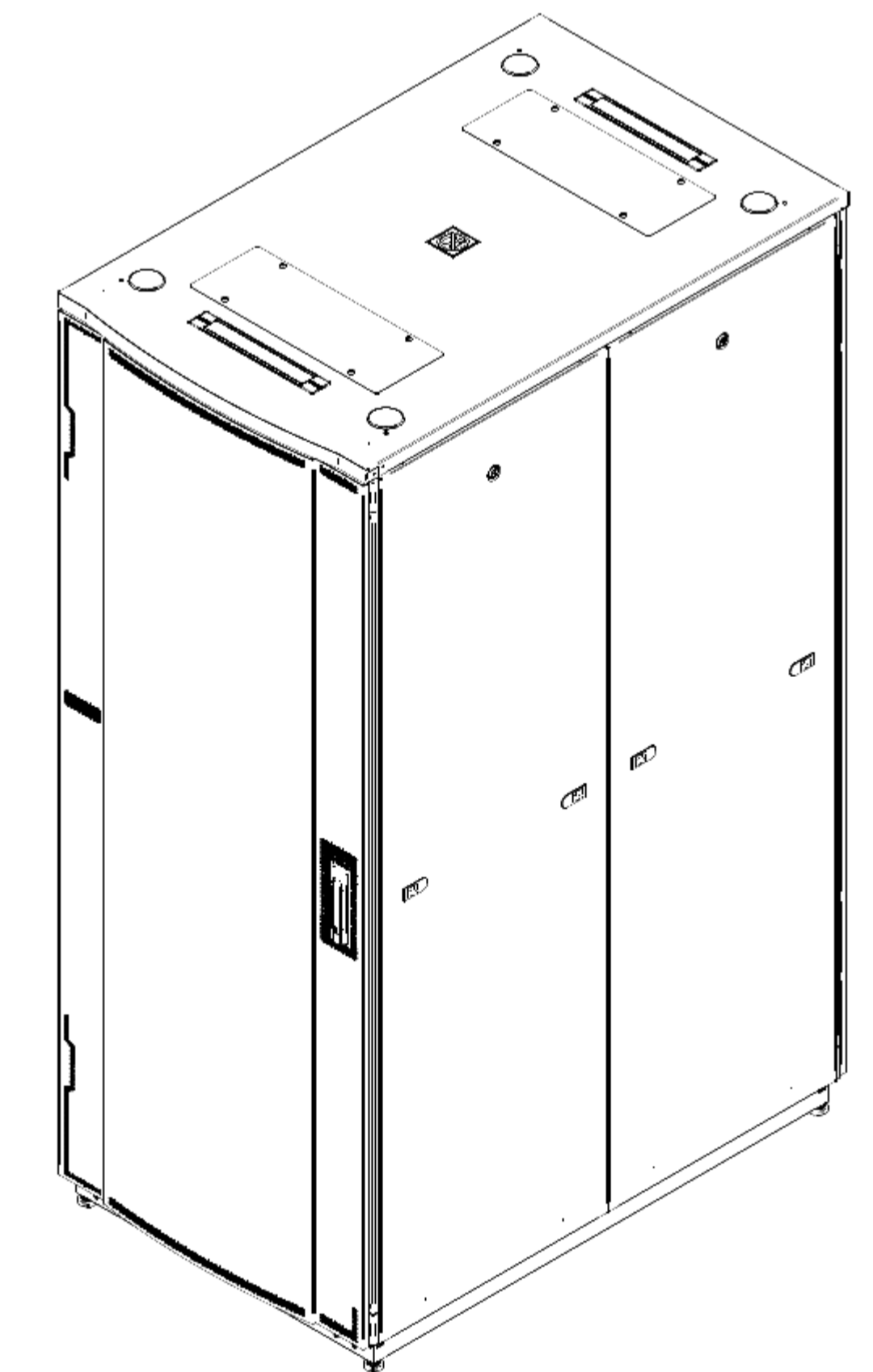
13. Side Panel installation

- ** Needed 2 pieces for 800D to 1000D
- ** Needed 4 pieces for 1200D (Double Side Panel on each side)

Bumper Foam 4x40x10	Q'ty
800W 800D to 1000D	12 pieces
800W 1200D	24 pieces



14. The complete installation



Note : 800W 800D to 1000D have one Side Panel on each side.

800W 1200D has two Side Panels on each side.