

Product Information

19" Seismic Zone 4 Cabinet

ATLAS SEISMIC CABINET



APPLICATION

The Atlas Seismic cabinet provides the ideal solution for installations requiring NEBS Zone 4 certified cabinets. Atlas is certified to support a 550 Kgs, load under Zone 4 conditions. With 1,000 mm depth and minimum 1,004 sq. inches open area on the perforated doors, you have both the rack space and air flow to properly house most of today's servers and related 19" equipment.

FEATURES

- Secure environment
- Earthquake Zone 4 compliant by MET Laboratories, USA
- Load Rating: 550 kgs. (1,210 lbs.), higher than many other leading cabinets
- Multiple cable access points; top, base and side
- Four 19" Mounting Rails with multiple depth settings
- "U" markings silk screened on the 19" mounting rails
- Superior thermal management provided by high density perforation patterns with 1,004 sq. inches open area
- Front door opening of 135 degrees
- Split rear doors to reduce overall footprint
- Gross weight with doors and panels of 205 kgs. (451 lbs.)

Height:

42U

Standards :

NEBS Telcordia GR-63-CORE
ANSI T1.329-2002 and T1.336-2003
EIA-310D, IEC-60297-2

Material :

High-grade cold and hot rolled steel
All materials RoHS compliant

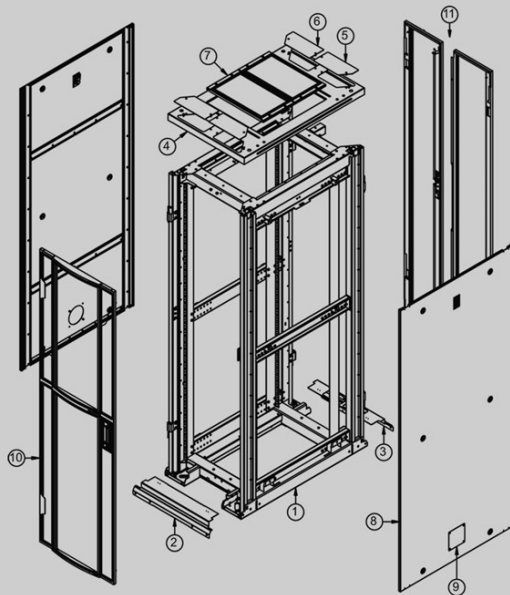
Finishing :

5 stage iron phosphate pretreatment followed by tough scratch resistant powder coat paint

Color :

Low gloss black

SPECIFICATION SHEET AND DIAGRAM



Item	Basic Cabinet Parts	Quantity
1	Frame Welded	1
2	Base Cover Front	1
3	Base Cover Rear	1
4	Top Panel	1
5	Cable Cutout Cover Plate-A	2
6	Cable Cutout Cover Plate-B	2
7	Fan Cutout Cover Plate	2
8	Side panel	2
9	Cable cutout cover plate-C	2
10	Perforate Curve Door Assy.	1
11	Perforate Double Door Assy.	1

