

Tool less Filler Panels

Product Information

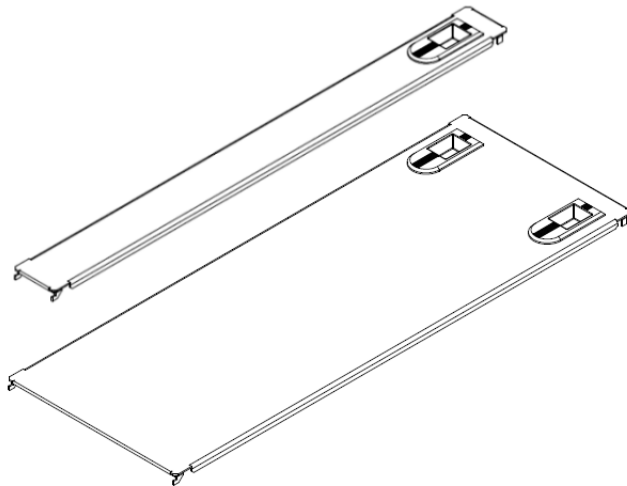
Simplified design to enable quick and easy installation or removal.

Features

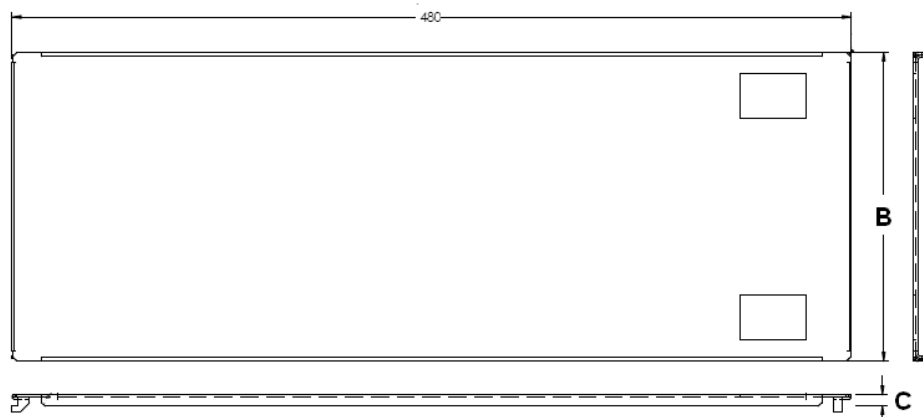
- Gasket in place seals panel against 19" vertical rail, preventing unwanted air leakage.
- Low profile front surface that does not interfere with vertical airflow.
- Available in 1U to 5U
- RoHS compliance
- Conforms to ASTM D610-01 and ASTM B117 (500 hours salt spray test)

Materials/Finish

- High grade cold rolled steel 1.2 mm thickness.
- Powder coat finish preceded by 5 stage iron phosphate pretreatment.
- Standard color is low gloss black. Special colors upon request.



Dimensions



Item	Part Name	Part Code	B	C
1	Tool Less Filler Panel 1U	TBLS1UBLK	44	10
2	Tool Less Filler Panel 2U	TBLS2UBLK	88	10
3	Tool Less Filler Panel 3U	TBLS3UBLK	133	10
4	Tool Less Filler Panel 4U	TBLS4UBLK	177	10
5	Tool Less Filler Panel 4U	TBLS5UBLK	222	10

Part List

Description	Quantity
1. Tool Less Filler panel	1 piece

Cheval Electronic Enclosure Co., Ltd.

International Contact : Tel : +66 (0) 2315 1504 Fax : +66 (0) 2315 1506 E-mail : commce@chevalgrp.com
Thailand Contact : Tel : +66 (0) 2744 1632 Fax : +66 (0) 2399 1783 E-mail : domestic_sales@chevalgrp.com

Product Information

Installation

1. To install, simply guide the pivot feet into the square cutouts (within the selected "U" space) then snap the other end to the 19" vertical mounting rail.

